

The
RainWater
softener family
has expanded



Euro-Clear
■ ■ ■ ■ ■

2021

New products



2021/Household compact filters

CPF-B mechanical prefilters in 2021 with a free pressure gauge (manometer)!

By operating the flush valve for a short time, the filtered dirt can be discharged into the drain. The pre-filter is supplied with a spare stainless steel filter insert, complete sealing set, installation key. In 2021, we will add a free pressure gauge to the filter.



216

Part no.	Connection	Flow rate	Filtration fineness	Pressure	Net price USD
CPF-3-B	External 1" (2 pc 3/4" hollander)	3 m ³ /h	50 μm	16 bar	30,50
CPF-4-B	External 5/4" (2 pc 1" hollander)	4 m ³ /h	50 μm	16 bar	42,54

2021/Industrial filter housings with threaded connection

226

Part no.	Product	Con- nection	Max. Flow rate	Pressure	Filtration fineness	Size Heigh x Width x Depth	Weight	Net price USD
WF-5/4M-130M	Industrial mechanical filter with 130 micron stainless steel filter insert, manual backwash ball valve	5/4"	10 m3/h	8 bar	130 µm	280 x 205 x 139 mm	0,71 kg	29,09
WF-5/4A-130M	Industrial mechanical filter with 130 micron stainless steel filter insert with automatic time-controlled backwash	5/4"	10 m3/h	8 bar	130 µm	280 x 205 x 139 mm	0,71 kg	107,18
WF-6/4M-130M	Industrial mechanical filter with 130 micron stainless steel filter insert, manual backwash ball valve	6/4"	14 m3/h	8 bar	130 µm	280 x 205 x 139 mm	0,73 kg	29,09
WF-6/4A-130M	Industrial mechanical filter with 130 micron stainless steel filter insert with automatic time-controlled backwash	6/4"	14 m3/h	8 bar	130 µm	280 x 205 x 139 mm	0,73 kg	107,18
WFC-5/4-130	Spare filter insert for 5/4 "filter				130 µm			3,54
WFC-6/4-130	Spare filter insert for 6/4 "filter				130 µm			3,54



WF-5/4M-130M

WF-5/4A-130M

WF-2M-100M

WF-2A-100M

226

Part no.	Product	Con- nection	Max. Flow rate	Pressure	Filtration fineness	Size Height x Width x Depth	Weight	Net price USD
WF-2M-100M	Industrial mechanical filter with 100 micron stainless steel filter insert with manual backwash ball valve	2"	30 m3/h	10bar	100 µm	620 x 320 x 220 mm	4,8 kg	110,02
WF-2A-100M	Industrial mechanical filter with 100 micron stainless steel filter insert with automatic time-controlled backwash	2"	30 m3/h	10bar	100 µm	620 x 320 x 220 mm	4,8 kg	187,05
WFC-2M-100	Spare filter insert for 2 "filter				100 µm			42,22

2021/Industrial filter housings with rim connection

226

Part no.	Product	Con- nection	Max. Flow rate	Pressu- re	Filtration fineness	Size Height x Width x Depth	Weight	Net price USD
WF-3M-100M	Rimmed mechanical filter with 100 micron stainless steel filter insert with manual backwash ball valve	DN80	50 m3/h	10bar	100 µm	750 x 340 x 220 mm	5,8 kg	158,16
WF-3A-100M	Rimmed mechanical filter with 100 micron stainless steel filter insert with automatic time-controlled backwash	DN80	50 m3/h	10bar	100 µm	750 x 340 x 220 mm	5,8 kg	235,19
WFC-3M-100	Spare filter insert for filter with DN80 connection				100 µm			54,69



WF-3M-100M



WF-3A-100M

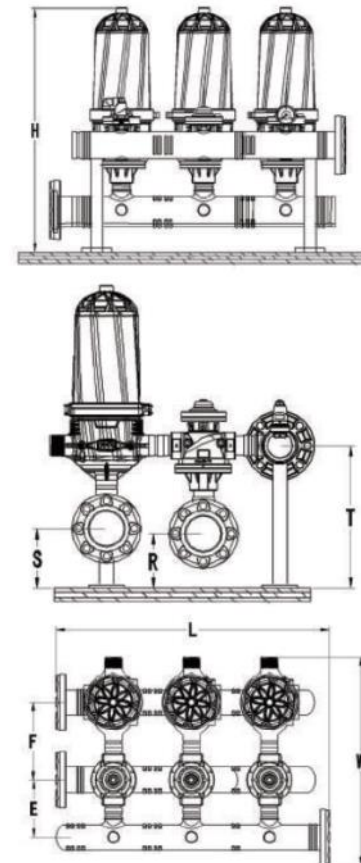


WF-4A-130M

226

Part no.	Product	Con- nection	Max. Flow rate	Pressu- re	Filtration fineness	Size Height x Width x Depth	Weight	Net price USD
WF-4M-130M	Rimmed mechanical filter with 100 micron stainless steel filter insert with manual backwash ball valve	DN100	100 m3/h	10bar	130 µm	1220 x 340 x 220 mm	7,9 kg	264,97
WF-4A-130M	Rimmed mechanical filter with 100 micron stainless steel filter insert with automatic time-controlled backwash	DN100	100 m3/h	10bar	130 µm	1220 x 340 x 220 mm	7,9 kg	342,00
WFC-4M-130	Spare filter insert for filter with DN100 connection				130 µm			70,18

2021/Industrial automatic filter, backwash based on time and pressure



The filter unit washes back the modular filter units countercurrently with filtered water. The filter modules are backwashed on the basis of time and pressure difference. The filter device is able to provide filtered water at all times.

Filtration fineness of the filter equipment: 100 micron.

Min. Pressure for efficient backwashing: 2.5 bar

Min. Amount of water for efficient backwashing: 3.1 l/s

226

Part no.	Modules	Connection	Pressure	Water quality	Flow rate 100 µm	L	H	T	R	S	W	E	F	Net Price
WF-302A-100	2db	DN100 4"	10 bar	Good (drinking water) Average well water Bad well water Very bad well water	56 m3/h 48 m3/h 40 m3/h 24 m3/h	710	1050	450	150	200	880	260	305	2.457,12
WF-303A-100	3db	DN100 4"	10 bar	Good (drinking water) Average well water Bad well water Very bad well water	84 m3/h 72 m3/h 60 m3/h 36 m3/h	985	1050	450	150	200	880	260	305	3.093,84
WF-304A-100	4db	DN150 6"	10 bar	Good (drinking water) Average well water Bad well water Very bad well water	112 m3/h 96 m3/h 80 m3/h 48 m3/h	1260	1120	520	220	230	910	290	305	3.926,62
WF-306A-100	6db	DN150 6"	10 bar	Good (drinking water) Average well water Bad well water Very bad well water	168 m3/h 144 m3/h 120 m3/h 72 m3/h	1810	1120	520	220	230	910	290	305	5.548,24
WF-308A-100	8db	DN200 8"	10 bar	Good (drinking water) Average well water Bad well water Very bad well water	224 m3/h 192 m3/h 160 m3/h 96 m3/h	2360	1180	580	250	260	960	320	305	7.413,57

2021/Hydrocyclone sand separator

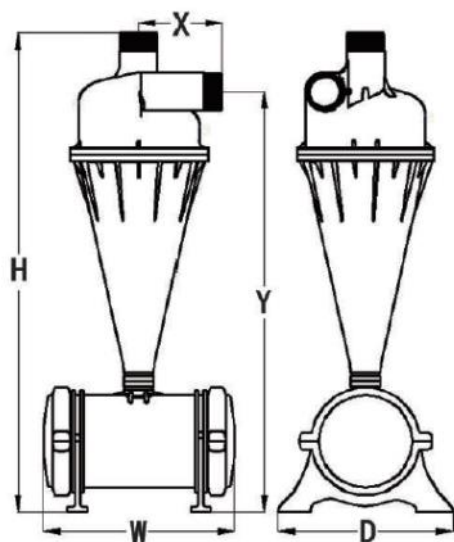
The sand separation cyclone, using centrifugal force, settles the sand to the bottom of the tank, from where it can be easily emptied through the discharge tap. The advantage of a sand separator is that it can filter large amount of sand out of the water. Its disadvantage is the filtration efficiency, in wich it lags significantly behind mechanical filters.

If you have a drilled well or plan to drill a well, we recommend installing both a sand separator and a mechanical filter. The sand separator must be installed in front of the mechanical filter.



226

Part no.	Product	Con- nection	Max. Flow rate	Pressu- re	Collection tank volume	Weight	Net price USD
CF-2	Hydrocyclone centrifugal sand separator	DN50 (2")	30 m3/h	8 bar	16 liter	13 kg	276,08
CF-3	Hydrocyclone centrifugal sand separator	DN80 (3")	50 m3/h	8 bar	16 liter	17.5 kg	305,66
CF-4	Hydrocyclone centrifugal sand separator	DN100 (4")	100 m3/h	8 bar	27 liter	28 kg	507,79



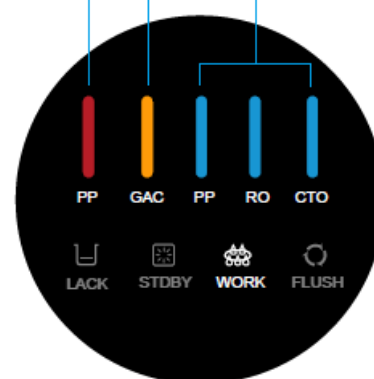
Part no.	H (mm)	W (mm)	D (mm)	X (mm)	Y (mm)
CF-2	1100	490	430	180	963
CF-3	1220	490	430	205	1070
CF-4	1440	520	524	250	1260

2021/Direct flow osmosis household water filter



Filter Life Indicator:

0% ≤90% ≤100% Remaining



From the 2nd half of 2021, we will start marketing this compact, high-performance, clean-looking osmosis water treatment device, which is capable of continuous water production, so there is no need for a water storage tank, which is a serious advantage from a hygienic point of view. You can always drink fresh purified water.

The appearance of the device represents the Scandinavian simplicity, the status of the filter inserts can be monitored on its display.

The appliance can be easily installed under a kitchen counter, it contains all the parts needed for its installation complete with a design faucet.

Specifications		
Water source	Communal water	
Inlet pressure	1 bar ~ 4 bar	
Performance	1.3 liter/minute	
Salt resistance	96%	
Yield	>50%	
Water temperature	5 ~ 38°C	
Ambient humidity	≤90%	
Noise level	<55 pc	
Electrical data	Input	100~240V AC 50/60Hz 3A
	Output	24V DC 5A
	Performance	60W
Connections	Inlet	3/8"
	Faucet	3/8"
	Drain	3/8"
Accessories	Faucet and installation set is part of the package.	
Pruct size (L x D x H)	392 x 235 x 373 mm	
Package size (L x D x H)	509 x 455 x 390 mm	

Part no.	Product	335
		Net price USD
BlueClear-RO-C	Direct flow osmosis household water filter	340,99

Replacement filter cartridges for BlueClear-RO-C:

Part no.	Product	Filter cartridge replacement time	Net price USD	Price cat.
FCPPS-1001	Exchangeable 10"x2.5" filter cartridge — 1 µm	Annually	0,91	111
FCCTO-10	Activated carbon 10"x2.5" filter cartridge —10 µm	Annually	1,75	121
FCPPS-1005	Exchangeable 10"x2.5" filter cartridge —5 µm	Annually	0,91	111
RO-C-400	400GPD dry osmosis membrane	Every 2 years	93,88	335

2021/RainWater HORECA Smallest wall-mounted water softener

The RainWater HORECA water softener has been specially developed to protect the equipment



Part no.	Product	Connection In / Out	Temp.	Size H x W x D	Weight Kg	Resin Liter	Flow rate m3/h	Net price USD
RW-5-HOR	RainWater HORECA volume controlled, wall mounted softener	1/2"	5-50°C	512 x 350 x 191 mm	11	4.8	0,6	313,11

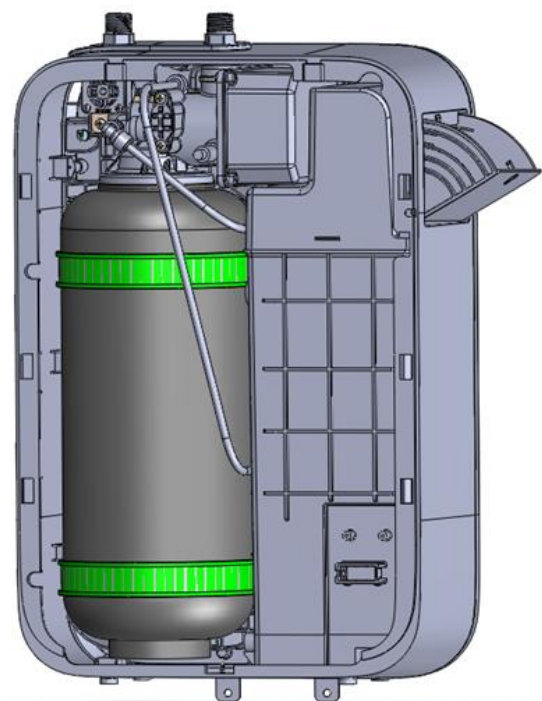
61N

Areas of application

- Horeca is a collective name for the food industry, which includes food and beverage preparation and serving facilities. The term stands for **Hotels, restaurants, catering**. Many facilities in these areas have a need for soft water
- With its restrained appearance and wall mounting, it is suitable for serving a shower with soft water. It is especially recommended for people who are sensitive to hard water
- Wherever a low capacity water softener is needed. Eg dental offices, laboratories, etc.

Key benefits:

- It takes up little space
- After entering the water hardness value, the equipment control head automatically calculates the capacity of the water treatment system.
- Equipment has a **salt deficiency alarm function**: When the regeneration is completed, the device monitors the amount of salt in the device with the help of an infrared sensor after entering the water supply state and gives an alarm in case of its low level.
- **Water leakage protection function**: The device has a built-in water guard function that automatically shuts off the softener in the event of a water leak.
- Easy to mount on the wall.
- Its 3kg salt container can be easily filled through the opening opening from the side.



2021/RainWater DUPLEX space-saving two-column water softener

Yes possible. Small size High volume flow due to two-column mode.
It is one of the smallest household water softeners on the market.



Part no.	Product	Connection In/out	Size H x W x D	Resin Liter	Flow m ³ /h	Net price USD
RW-7-D1	RainWater DUPLEX household two-column continuous water softener	3/4"	462 x 465 x 263 mm	2 x 3.5	2	502,15

61N

Areas of application

- Homes for 1-4 people with 1 bathroom.
- If you can / want to provide little space for the installation of the device.
- Due to its small footprint, it can be easily integrated into furniture.

Key benefits:

- It takes up little space
- The two tanks operating in parallel are able to supply soft water at the same time, thus achieving a relatively high volume flow compared to its size..
- The unit regenerates only one column at a time, so it is able to supply soft water continuously.
- After entering the water hardness value, the unit's control head automatically calculates the capacity of the water treatment system and displays it on the blue backlit informative LCD display..
- Equipment has a **salt deficiency alarm function**: The equipment calculates the amount of salt remaining after regenerations from the amount of salt added. If you run out of salt warns.
- Easier installation. Utility connections on one side (raw water, soft water, sewer, electricity supply).

2021/Pre-assembled chemical dosing stations with HS dosing pump



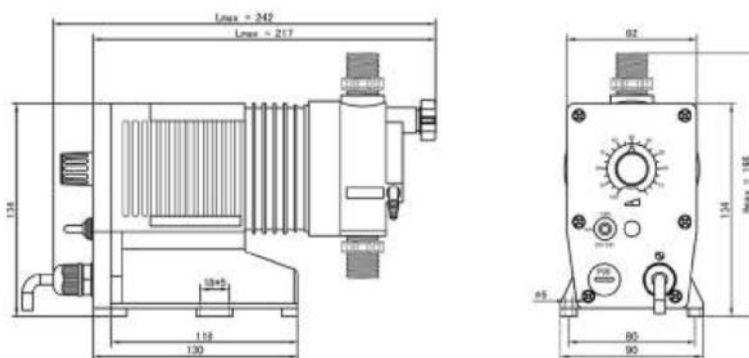
		532
Part no.	Product	Net price USD
DS-080/1202	80 liter cylindrical, transparent PE chemical tank DP-OEM-1202 with membrane dosing pump, foot and injector valve, complete with 6x4mm suction and discharge line. You will find detailed information about the dosing pump on the next page.	288,67
DS-120/1202	120 liter cylindrical, transparent PE chemical tank DP-OEM-1202 with membrane dosing pump, foot and injector valve, complete with 6x4mm suction and discharge line. You will find detailed information about the dosing pump on the next page.	297,34
DS-200/1202	200 liter cylindrical, transparent PE chemical tank DP-OEM-1202 with membrane dosing pump, foot and injector valve, complete with 6x4mm suction and discharge line. You will find detailed information about the dosing pump on the next page.	331,19

2021/OEM membrane dosing pumps



Membrane dosing pump can be connected with pulse input control, ie a water meter with a contact transmitter.

- Dosing head material: PP
- Dispenser, foot valve: PP
- Membrane material: PTFE
- Valve ball: Ceramic
- Valve seat: FPM
- Seals: FPM
- Spring: Hastelloy
- Stroke length adjustment: 0-100%
- Stroke frequency: 25%, 50%, 100%
- Power supply: 110–240 VAC, 50 – 60 Hz
- Accessories: foot valve, injector valve, with suction and dosing hose (6x4mm)



591

Part no.	Modell	Max. Dosing quantity l / h	Max. pressure Bar	Perf. W	Speed strokes / minute	Connection	Stock / To order	Net price USD
DP-OEM-1600	1600	0,4	16	12	60	3/8" x 1/4"	To order	211,20
DP-OEM-1601	1601	0,6	16	12	90	3/8" x 1/4"	To order	211,20
DP-OEM-1602	1602	0,8	16	12	120	3/8" x 1/4"	To order	211,20
DP-OEM-1200	1200	0,6	12	16	90	3/8" x 1/4"	To order	211,20
DP-OEM-1201	1201	0,8	12	12	120	3/8" x 1/4"	To order	211,20
DP-OEM-1202	1202	1,2	12	16	180	3/8" x 1/4"	Stock	211,20
DP-OEM-0803	0803	3	8	24	90	3/8" x 1/4"	To order	211,20
DP-OEM-0804	0804	4	8	12	120	3/8" x 1/4"	To order	211,20
DP-OEM-0806	0806	6	8	16	180	3/8" x 1/4"	To order	211,20
DP-OEM-0306	0306	5,5	3	24	90	3/8" x 1/4"	To order	211,20
DP-OEM-0308	0308	7,3	3	12	120	3/8" x 1/4"	To order	211,20
DP-OEM-0311	0311	11	3	16	180	3/8" x 1/4"	To order	211,20
DP-OEM-0211	0211	11	1,5	24	90	3/8" x 1/4"	To order	211,20
DP-OEM-0215	0215	14,5	1,5	12	120	3/8" x 1/4"	To order	211,20
DP-OEM-0222	0222	22	1,5	16	180	3/8" x 1/4"	To order	211,20

If you need a pump of a different type from the DP-OEM-1202 pump in stock from the table above, please contact our dealer. Based on an individual annual agreement, it is possible to keep stock of the type you require.

Part number	Products	Nominal Flow rate	Max. Flow rate	Conn.	Length mm	Contact sign	Net Price USD
BSWM-034	BlueSoft Water meter with contact sign	2.5 m ³ /h	5 m ³ /h	3/4"	228 mm	1 liter/ impulse	46,69
BSWM-010	BlueSoft Water meter with contact sign	3.5 m ³ /h	7 m ³ /h	1"	380 mm	1 liter/ impulse	64,91
BSWM-020	BlueSoft Water meter with contact sign	15 m ³ /h	30 m ³ /h	2"	560 mm	10 liter/ impulse	208,66



BSWM-034



Warehouse opening hours Release of goods:

Monday—Friday: 8:00—17:00

Product specifications are for informational purposes only!
Euro-Clear Ltd owns the right of the technical changes!
Items may be different than shown on the pictures!



Euro-Clear Ltd.

-  9071, Gönyű, Béke street 2.
-  +36 96 544 240
-  contact@euro-clear.eu
-  www.euro-clear.eu