



**EOS 46.U XL** NEW

Sauna heater for an invisible installation behind the benches. Only 22 cm gap to the partition wall needed. Space saving and increased safety!

Robust stainless steel construction. Dust and water collection tray at the bottom. Special built-in water gutter ensure even distribution of water splashes over the entire rock store width. For saunas from 18 to 30 m<sup>3</sup>.

Rock store with approx. 20 kg stone volume.

Delivery includes complete accessories set: Water splash funnel with 1 m hose, cover protection safety grill, 2 x 6 m connection cable.

Power	Sauna cabin	Item no.
15,0 kW	18 - 25 m <sup>3</sup>	94.7219
18,0 kW	24 - 30 m <sup>3</sup>	94.7222



**EOS Bi-O Mat U** (Combi heater)

Sauna heater for behind-the-bench installation.

Features an integrated vaporizer with 1,5 - 2 kW for flexible sauna climate. Manual water filling (automatic refilling optionally possible). Vaporizer position on the left of right side possible.

Rock store with approx. 15 kg stone volume.

Delivery includes complete accessories set: Water splash funnel with 1 m hose, cover protection safety grill, 6 m connection cable.

Power	Sauna cabin	Item no.
6,0 kW	6 - 8 m <sup>3</sup>	94.4805
7,5 kW	7 - 10 m <sup>3</sup>	94.4806
9,0 kW	9 - 14 m <sup>3</sup>	94.4807
12,0 kW	14 - 18 m <sup>3</sup>	94.4808



**EOS Invisio Midi**

Sauna heater for concealed under-the-bench installation. Requires only as little as 10 cm space between sauna wall and partition wall.

Durable construction with heating elements separated from the 20 kg large rock store. Still allows classic water splashes on the rocks. Very service-friendly design. Adjustable height.

Includes water splash funnel with 1 m hose and connector, safety grill.

Power	Sauna cabin	Item no. unpainted / anthracite
6,0 kW	6 - 8 m <sup>3</sup>	94.5786 / 94.5813
9,0 kW	9 - 14 m <sup>3</sup>	94.5787 / 94.5814
12,0 kW	14 - 18 m <sup>3</sup>	94.5788 / 94.5815



**EOS Bi-O Invisio vaporizer**

External vaporizer for Invisio sauna heaters. The vaporizer can be mounted on the left or on the right hand and is available with 2,0 and 3,0 kW.

The water tank made of high-quality stainless steel has a filling capacity of about 12 l. The vaporizer is equipped with a dry-run protection with acoustic alarm.

Power supply: 230 V 1N AC

Power	Item no.
2,0 kW	94.6293
3,0 kW	94.6294

**Sauna control units**



EOS Econ D4 or H4

For sauna heaters with 10,5 kW or more power you will need a power extension unit.



EOS EmoTec D or H



EOS EmoTouch 3 (touchscreen)

**Steam generator**



EOS SteamAttrac

Compact steam generator for steam rooms or saunas with humid operation. Very stable and reliable steam production even by unfavourable water quality. Suitable for domestic and commercial operation.

Dimensions HWD: 330 x 450 x 270 mm  
 Power supply: 3 kW: 230 V 1N AC 50Hz  
 4 - 6 kW: 400 V 3N AC 50 Hz

09/2020



Professional  
sauna heaters  
for commercial use



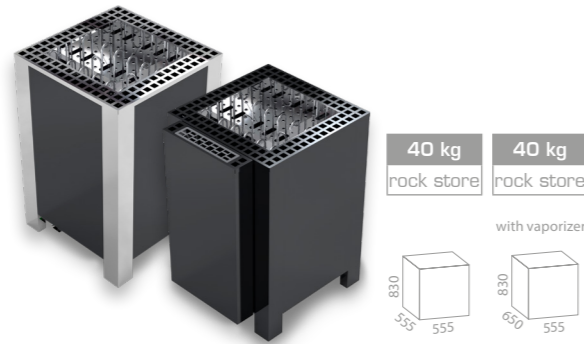
# Innovative power packs

From a classic commercial sauna to a state-of-art themed sauna – with EOS commercial sauna heaters every sauna bath becomes a relaxing experience. Thanks to continuous innovation and unique experience EOS provides solutions that perfectly fit the demands of your guests.

Thoroughly chosen materials and elaborated craftsmanship in detail ensure a long lasting and reliable service even with very intensive use.

Trust in decades of unique experience and know-how with “Made in Germany” quality. Trust in our experience and efficiency.

## COMMERCIAL SAUNA HEATERS



### EOS BlackRock

**NEW**

High-performance floor-standing sauna heater for the Finnish (dry) sauna. Great for intensive commercial use.

The EOS BlackRock features a puristic high-contrast design. The uniform appearance on all sides makes it ideal for installations in front of glass panels or in the centre of the sauna - no rear side, no protruding terminal box

Thanks to an optional 3 kW vaporizer, the EOS BlackRock can also be used as Bi-O version for humid sauna operation. Retrofitting possible on site.

Rock store fits approx. 40 kg sauna stones.  
Suitable cover protection guard type 4

Power supply: 400 V 3N AC  
Outer shell: Stainless steel, side panels with anthracite finish or matt black finish

Power	Sauna cabin	Item no. anthracite / black
12,0 kW	14 - 18 m <sup>3</sup>	94.7140 / 94.7312
15,0 kW	18 - 25 m <sup>3</sup>	94.7141 / 94.7313
18,0 kW	24 - 30 m <sup>3</sup>	94.7142 / 94.7314

Accessories	Item no. anthracite / black
EOS BlackRock vaporizer 3,0 kW	94.7230 / 94.7324



### EOS Goliath

The EOS Goliath sauna heater unites modern design with reliable top performance. Exceptionally strong and durable construction, completely made of stainless steel.

The extra-large rock store with enlarged air channels ensures continuously stable air convection and perfect temperature stability. The high-performance heating elements have no contact with the stones for an extra-long service life and easy maintenance.

Rock store fits approx. 75 kg sauna stones.  
Suitable cover protection guard type 5

Power supply: 400 V 3N AC  
Outer shell: Stainless steel with anthracite pearl effect powder coating

Power	Sauna cabin	Item no.
18,0 kW	24 - 30 m <sup>3</sup>	94.4805
24,0 kW	35 - 40 m <sup>3</sup>	94.4806
30,0 kW	50 - 65 m <sup>3</sup>	94.4807
36,0 kW	65 - 75 m <sup>3</sup>	94.4808



### EOS 34.G | 34.G Heavy Duty

**NEW**

Heavy-duty sauna heater with very stable, reinforced construction in two sizes. Completely made of stainless steel with exceptionally robust 3-shell wall construction.

The EOS 34.G features special designed rock store placed above the heating elements on the unique V-shape supports which ensure perfectly stable air convection.

“Heavy-duty” version with copper rails as standard inner wiring and therefore perfectly suitable for saunas with particularly intensive use.

15 – 21 kW (30 kg rock store) | 24 – 36 kW (45 kg rock store)  
Suitable cover protection guard type 5

Power supply: 400 V 3N AC  
Outer shell: Stainless steel, polished

Power	Sauna cabin	Item no. 34.G / 34.G HD
15,0 kW	18 - 25 m <sup>3</sup>	90.8586
18,0 kW	24 - 30 m <sup>3</sup>	90.8587
21,0 kW	24 - 34 m <sup>3</sup>	90.8588
24,0 kW	35 - 40 m <sup>3</sup>	90.8589 / 94.7360
27,0 kW	40 - 50 m <sup>3</sup>	90.8590 / 94.7361
30,0 kW	50 - 65 m <sup>3</sup>	90.8591 / 94.7362
36,0 kW	65 - 75 m <sup>3</sup>	90.8592 / 94.7363



### EOS Mega

The powerhouse - the world's most powerful electric sauna heater. Specially designed for intensive commercial operation in event sauna cabins up to 160 m<sup>3</sup>. With the power range from 42 kW up to impressive 72 kW, this model is great for extensive water splash events.

Durable stainless steel construction. Uniform appearance on all sides - no typical “rear” side, ideal for central placement. Rock store with approx. 120 kg volume separated from heating elements for stable air flow. Unique EOS-designed V-shape profiles in two layers as rock store bottom ensure effective water evaporation and improved air flow.

Power supply: 400 V 3N AC  
Outer shell: Stainless steel with anthracite finish

Power	Sauna cabin	Item no.
42,0 kW	55 - 70 m <sup>3</sup>	94.6909
48,0 kW	70 - 80 m <sup>3</sup>	94.6908
54,0 kW	80 - 100 m <sup>3</sup>	94.6907
60,0 kW	100 - 130 m <sup>3</sup>	94.6906
72,0 kW	130 - 160 m <sup>3</sup>	94.6905



### EOS Orbit

Premium class sauna heater in classic round-shaped design with anthracite pearl effect powder coating. Thanks to the invisible mains connection at the bottom side, EOS Orbit is perfectly suitable for a placement in front of glass or in the middle of the sauna cabin.

Rock store fits approx. 40 kg sauna stones.  
The heater's design is perfectly completed by the optional round-shaped protection rail 360° or 270°.

Power supply: 400 V 3N AC  
Outer shell: Stainless steel with anthracite pearl effect powder coating

Power	Sauna cabin	Item no.
12,0 kW	14 - 18 m <sup>3</sup>	94.6419
15,0 kW	18 - 25 m <sup>3</sup>	94.6420
18,0 kW	24 - 30 m <sup>3</sup>	94.6421
21,0 kW	24 - 34 m <sup>3</sup>	94.6422
24,0 kW	35 - 40 m <sup>3</sup>	94.6423

On request also available with the rust marbel finish.  
Rail mounting bracket included.

## COMMERCIAL SAUNA HEATERS



### EOS Zeus | Zeus L

Luxury class sauna heater in distinctive round design. The model's highlight is the round-shaped case in a reinforced steel construction with impressive 100 kg rock store. Optimal temperature stability, ideal for intensive infusion ceremonies.

Rock store fits approx. 100 kg sauna stones.  
The optional round-shaped protection rail 360° or 270° sets the crowning touch to the heater's design.

Power supply: 400 V 3N AC  
Outer shell: red-brown powder coating in „rusty“ design

Power	Sauna cabin	Item no. Zeus	Item no. Zeus L
12,0 kW	14 - 18 m <sup>3</sup>	94.6452	94.6695
16,0 kW	18 - 25 m <sup>3</sup>	94.6453	94.6696
20,0 kW	24 - 34 m <sup>3</sup>	94.6454	94.6697
24,0 kW	35 - 40 m <sup>3</sup>	94.6455	94.6698
30,0 kW	50 - 65 m <sup>3</sup>	94.6457	94.6699
36,0 kW	65 - 75 m <sup>3</sup>	94.6458	94.6700

On request also available in mat black and anthracite pearl effect finish.