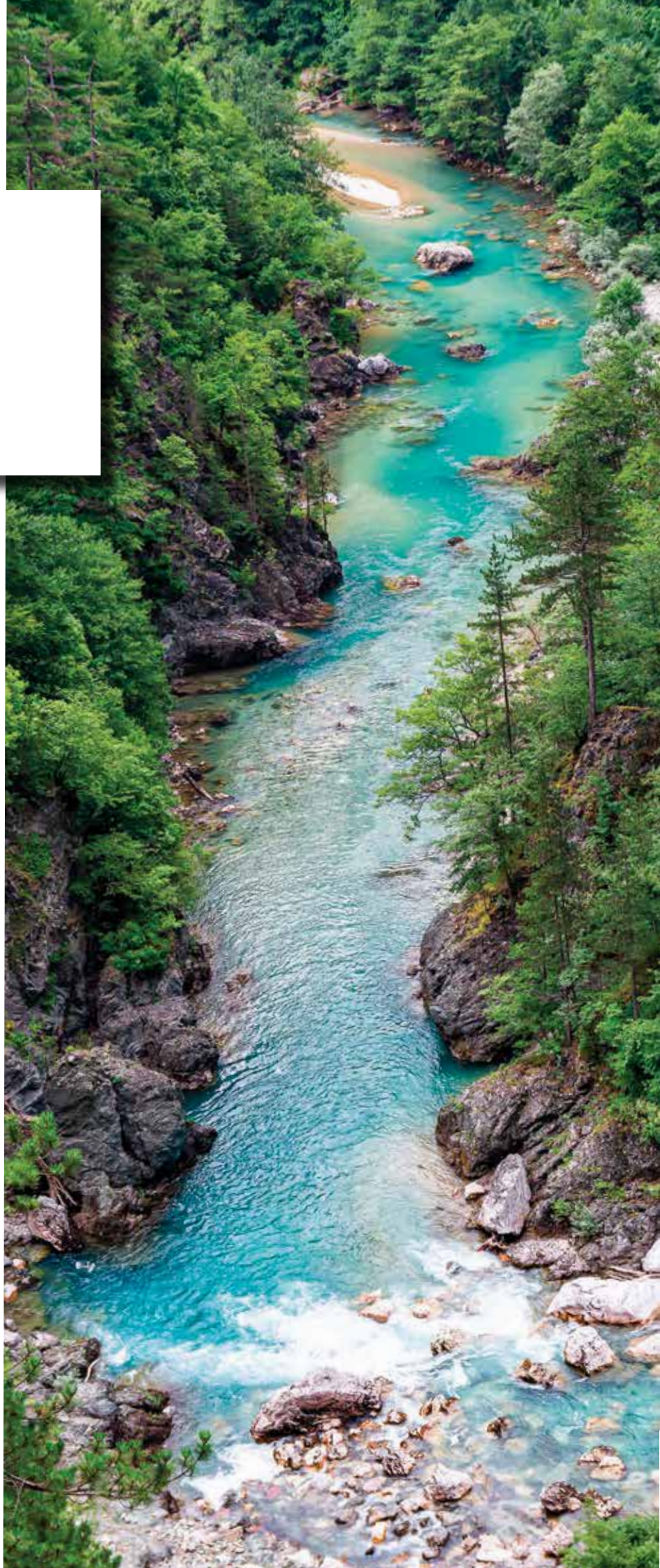


PRICE LIST
2023
EURO



About Tara

Tara is name of the mountain on Balcan, Serbia. Tara is the national park and the nature reserve of numerous wild plant and animal species. Intertwined with a network of crystal clear streams, Tara is synonymous with for clean, deep-green water and untouched nature. We created water filters inspired by Tara, in order to bring you closer to the purity and touch of pure nature.

Our Mission



Needs

Tailoring of filters according to customer's specific requirements and needs. Tara filter can be used in swimming pool water filtration, in municipal drinking water treatment plants or for treatment of technical, process or wastewater. It is suitable for application in industry wherever the mechanical filtration is needed.



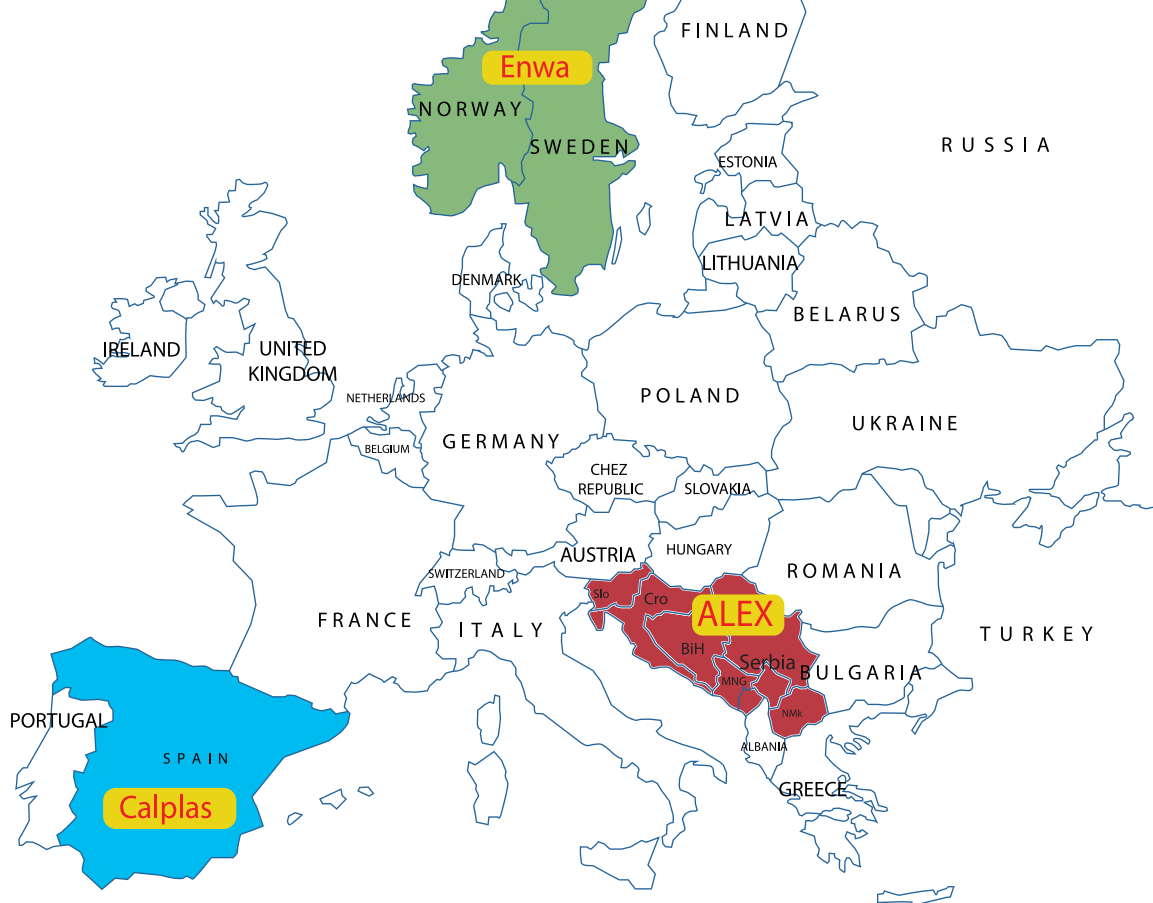
Solution

We offer our customers a complete and valuable solution for high quality pressure filters. We possess knowledge, capacity and experience to design and produce pressure filters, vessels and sedimentation tanks as well as variety of storage tanks for different purposes.



Safety

Thanks to our streamlined production process and technical know-how, we manufacture media filters that are competitive in the European markets, reliable and safe.



Contacts



Boban Jovanović

Managing Director

+381 64 846 0622
boban.jovanovic@taragr.rs



Nikola Drulović

Sales Director

+381 64 846 0621
nikola.drulovic@taragr.rs

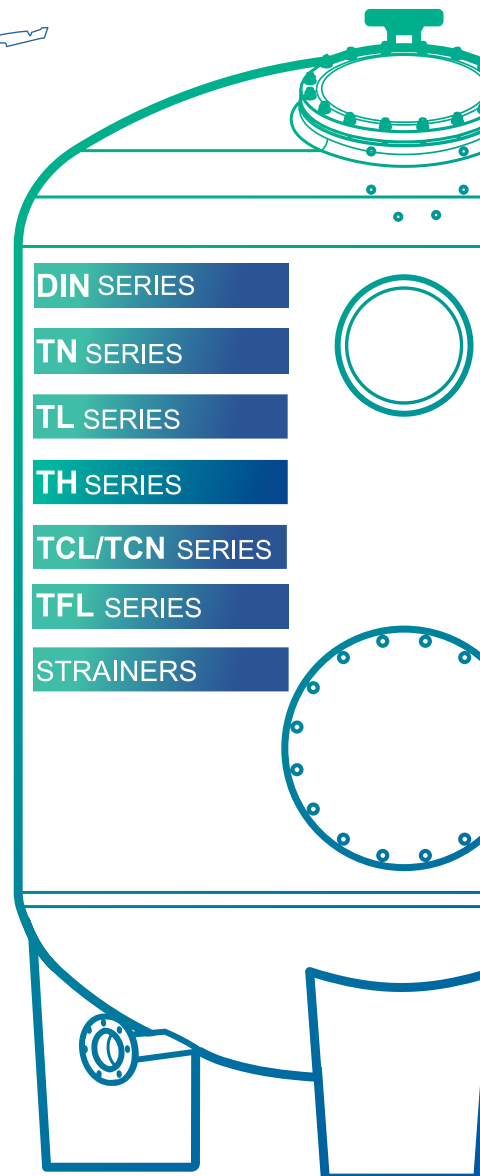
Tara GRP DOO

Head Office

Narodnih heroja 42
11070 Novi Beograd, Serbia

Production plant

Jarački put bb, Industrijska zona Jezero
22000 Sremska Mitrovica, Serbia



DIN SERIES

GRP PRESSURE FILTERS

BED HEIGHT 1200 mm

Diameter (mm)	H (mm)	H1 (mm)	H2 (mm)	H3 (mm)	H4 (mm)	H5 (mm)	M1 (mm)	M2 (mm)	SG1 (mm)	R01 (mm)	I/O (mm)	No. of nozzles (pcs.)	Filter surf. (m ²)	Gross price € without VAT
800	2370	2350	2100	225	1600	225	400	200	200	100	DN80	37	0,50	7 555 €
1000	2470	2450	2200	275	1600	250	400	200	200	200	DN100	61	0,80	8 620 €
1200	2630	2550	2300	300	1550	250	400	300	200	200	DN125	91	1,13	11 375 €
1400	2720	2650	2400	300	1550	250	400	400	200	200	DN125	121	1,54	13 520 €
1600	2800	2750	2500	325	1500	300	400	400	200	200	DN150	163	2,01	16 565 €
1800	2920	2850	2600	350	1550	300	500	500	200	200	DN200	199	2,54	20 315 €
2000	3000	2950	2700	350	1550	300	500	500	200	200	DN200	253	3,14	25 600 €
2200	3120	3050	2800	400	1500	350	500	500	200	200	DN200	301	3,80	29 855 €
2400	3200	3150	2900	450	1500	400	500	500	200	200	DN250	349	4,52	33 665 €
2600	3300	3250	3000	500	1475	400	500	500	200	200	DN250	423	5,31	37 400 €

- Filters are designed according to DIN 19605/19643/18820 standards and constructed according to AD-Merkblatt N1 and BS.
- Filters are equipped with nozzle plate and high quality nozzles.
- Flanges, internal components, piping and support legs are made from GRP.
- Maximum working temperature: 40°C.
- Maximum working pressure: 2,5 bar
- Test pressure: 3,75 bar
- 5 years warranty

Additional options:

- Cylindrical height increasing: +3% per 100 mm.
Bed height 1500 mm: +9%
- Vinylester lining for ozone (concentration max. 1 ppm): +10%
- Other flanges dimension on request
- Working pressure filters 4 bar: price +25% (factor 1,25).
- Working pressure filters 6 bar: price +40% (factor 1,40).



Technical details

- DIN 19605/19643/18820
- Diametar from 800 mm to 2600 mm
- Bed height 1200 mm (standard) and 1500 mm (optional)
- Sight glass height from nozzle plate: 1400 mm (filter media bed height 1200 mm)



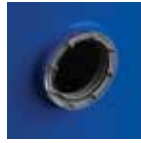
Lifting lug made of stainless steel embedded in GRP



GRP funnel with reinforcement beam



GRP nozzle plate with high quality nozzles



All openings, flanges and accessories can be positioned and oriented according to the clients specific needs if technically possible

Acrylic sight glass SG1 in DN200 size

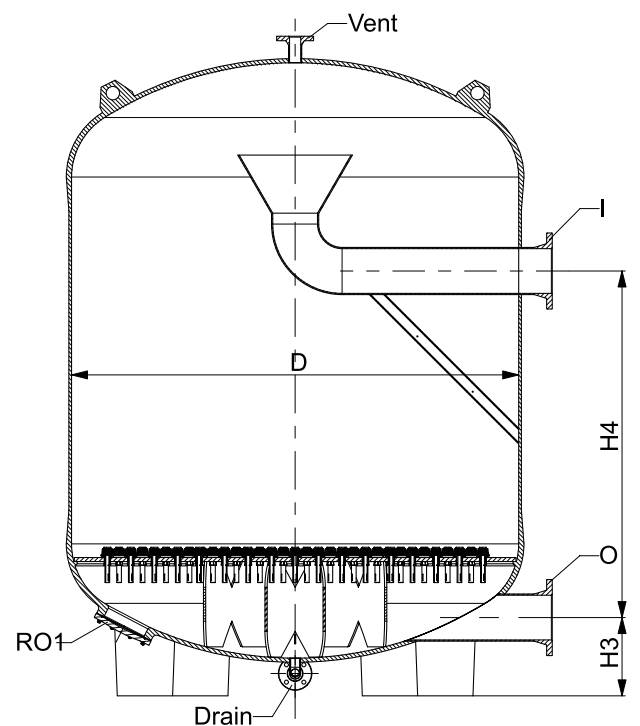
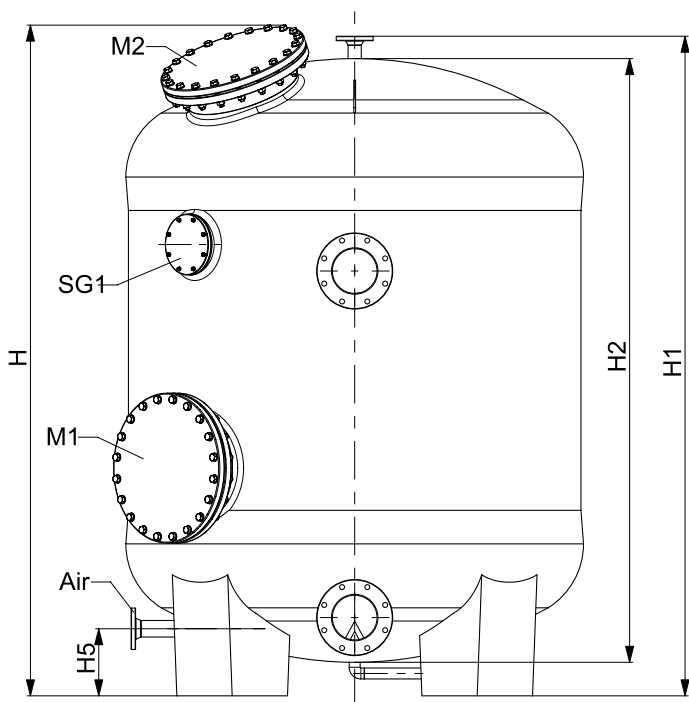


Filter laminate construction according to DIN 18820. Chemical protective barrier made of combination of adequate resin, C-glass veil and glass fibres.

Mechanical reinforcement made of combination of spray-up roving, woven roving and radial and helical filament winding.

External protective coating in RAL 5015. Other colours upon request with 5% surcharge.

Scan QR for more informations



TN SERIES

BED HEIGHT 1200 mm	Diameter (mm)	H (mm)	H1 (mm)	H2 (mm)	H3 (mm)	M1 (mm)	M2 (mm)	SG1 (mm)	R01 (mm)	I/O (mm)	No. of nozzles (pcs.)	Filter surf. (m ²)	Gross price € without VAT
	1000	2260	2060	TBC	TBC	400	200	200	200	DN80	60	0,80	7 840 €
	1200	2360	2160	TBC	TBC	400	300	200	200	DN100	78	1,13	10 340 €
	1400	2460	2260	TBC	TBC	400	400	200	200	DN100	114	1,54	12 295 €
	1600	2560	2360	TBC	TBC	400	400	200	200	DN125	156	2,01	15 060 €
	1800	2660	2460	800	1050	400	400	200	200	DN125	192	2,54	18 470 €
	2000	2760	2560	TBC	TBC	400	400	200	200	DN150	234	3,14	23 275 €
	2200	2860	2660	TBC	TBC	400	400	200	200	DN200	288	3,80	27 140 €
	2400	2960	2760	TBC	TBC	400	400	200	200	DN200	334	4,52	30 605 €
	2600	3060	2860	TBC	TBC	400	400	200	200	DN200	404	5,31	34 000 €

- Filters are designed according to DIN 19605/19643/18820 standards and constructed according to AD-Merkblatt N1 and BS.
- Filters are equipped with nozzle plate and high quality nozzles (KSH).
- Flanges, interior components, piping and support legs are made from GRP.
- Maximum working temperature: 40°C.
- Maximum working pressure: 2,5 bar
- Test pressure: 3,75 bar.
- 5 years warranty

Additional options:

- Cylindrical height increasing: +3% per 100 mm.
Bed height 1500 mm: +9%
- Vinylester lining for ozone (concentration max. 1 ppm): +10%
- Working pressure filters 4 bar: price +25% (factor 1,25).
- Working pressure filters 6 bar: price +40% (factor 1,40).



Technical details

- DIN 19605/19643/18820
- Diameter from 1000 mm to 2600 mm
- Bed height 1200 mm (standard) and 1500 mm (optional)
- Sight glass height from nozzle plate: 1400 mm - 1450 mm (filter media bed height 1200 mm)
- All openings, flanges and accessories can be positioned and oriented according to the clients specific needs if technically possible



Lifting lug made of stainless steel embedded in GRP



All flanges and manholes in GRP



3 support legs for perfect standing



Acrylic sight glass SG1 in DN200 size



Special top diffuser for flat filter bed



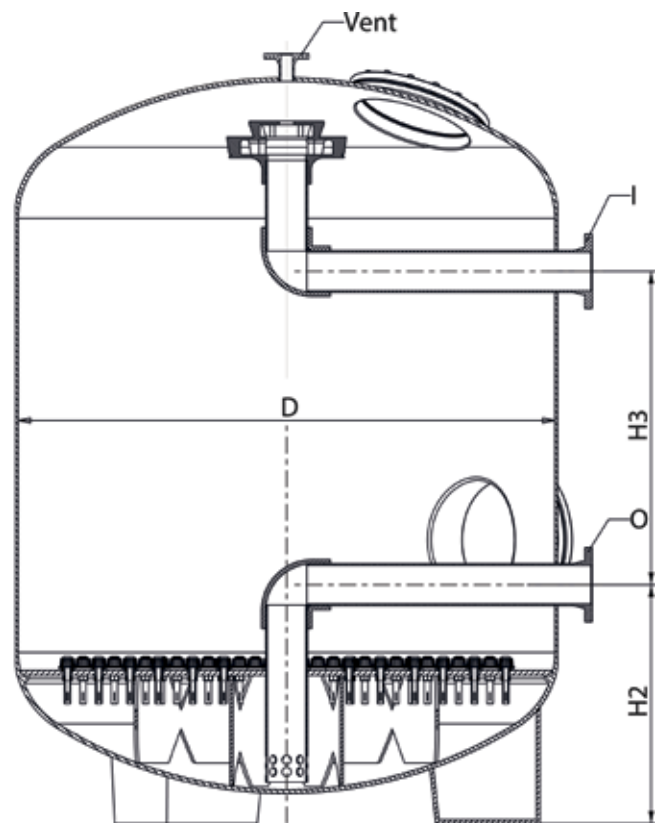
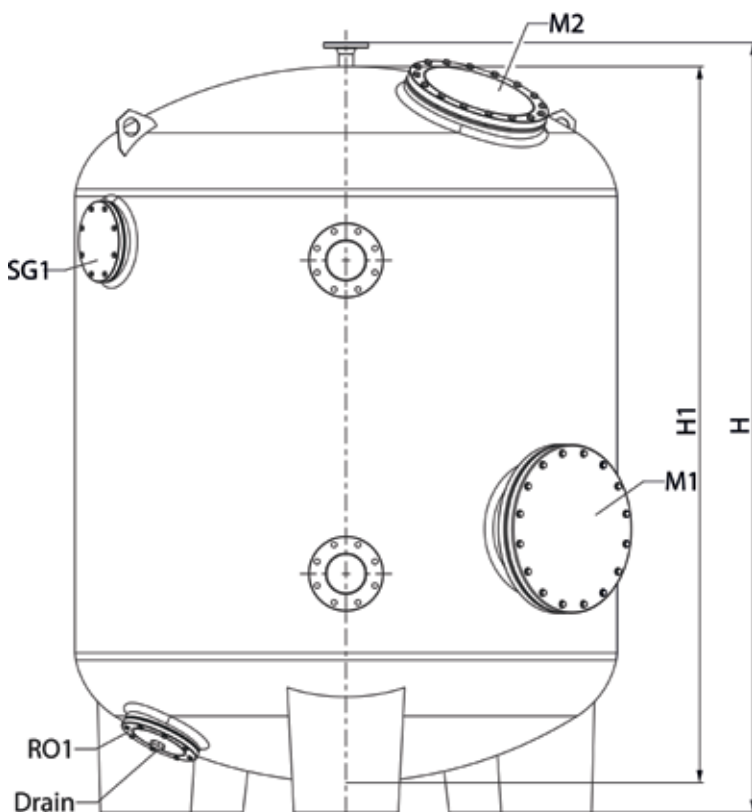
Filter laminate construction according to DIN 18820. Chemical protective barrier made of combination of adequate resin, C-glass veil and glass fibres. Mechanical reinforcement made of combination of spray-up roving, woven roving and radial and helical filament winding.



GRP Nozzle plate with high quality nozzles (KSH)

External protective coating in RAL 5015. Other colours upon request with 5% surcharge.

Scan QR for more informations



TL SERIES

BED HEIGHT 1200 mm	Diameter (mm)	H (mm)	H1 (mm)	H2 (mm)	H3 (mm)	M1 (mm)	M2 (mm)	SG1 (mm)	R01 (mm)	I/O (mm)	Filter surf. (m ²)	Gross price € without VAT
	1000	2260	2060	TBC	TBC	400	200	200	200	DN80	0,80	6 995 €
	1200	2360	2160	TBC	TBC	400	300	200	200	DN100	1,13	8 680 €
	1400	2460	2260	TBC	TBC	400	400	200	200	DN100	1,54	10 485 €
	1600	2560	2360	TBC	TBC	400	400	200	200	DN125	2,01	12 915 €
	1800	2660	2460	TBC	TBC	400	400	200	200	DN125	2,54	15 700 €
	2000	2760	2560	TBC	TBC	400	400	200	200	DN150	3,14	19 370 €
	2200	2860	2660	TBC	TBC	400	400	200	200	DN200	3,80	22 270 €
	2400	2960	2760	TBC	TBC	400	400	200	200	DN200	4 52	25,305 €

- Internal liner of the filter vessel is designed in accordance with DIN 18820 standard.
- Filters are equipped with lateral nozzle system.
- Inlet/Outlet flanges are made from GRP.
- Internal components and piping are made from PVC.
- Maximum working temperature: 40°C.
- Maximum working pressure: 2,5 bar.
Test pressure: 3,75 bar.
- 5 years warranty.

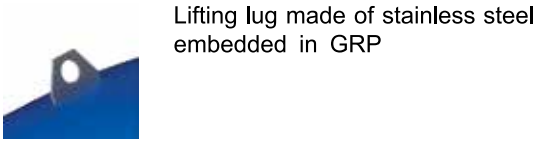
Additional options:

- Cylindrical height increasing: +3% per 100 mm.
Bed height 1500 mm: +9%
- Vinylester lining for ozone (concentration max. 1 ppm): +10%
- Working pressure filters 4 bar: price +25% (factor 1,25).
- Working pressure filters 6 bar: price +40% (factor 1,40).



Technical details

- DIN 18820
- Diameter from 1000 mm to 2400 mm
- Bed height 1200 mm (standard), 1000 mm and 1500 mm (optional)
- Sight glass height from laterals: 1400 mm - 1450 mm (filter media bed height 1200 mm)
- All openings, flanges and accessories can be positioned and oriented according to the clients specific needs if technically possible



Lifting lug made of stainless steel embedded in GRP



All openings, flanges and accessories can be positioned and oriented according to the clients specific needs



Special top diffuser for flat filter bed



Acrylic sight glass SG1 in DN200 size



Lateral distribution system



Filter laminate construction according to DIN 18820. Chemical protective barrier made of combination of adequate resin, C-glass veil and glass fibres. Mechanical reinforcement made of combination of spray-up roving, woven roving and radial and helical filament winding.



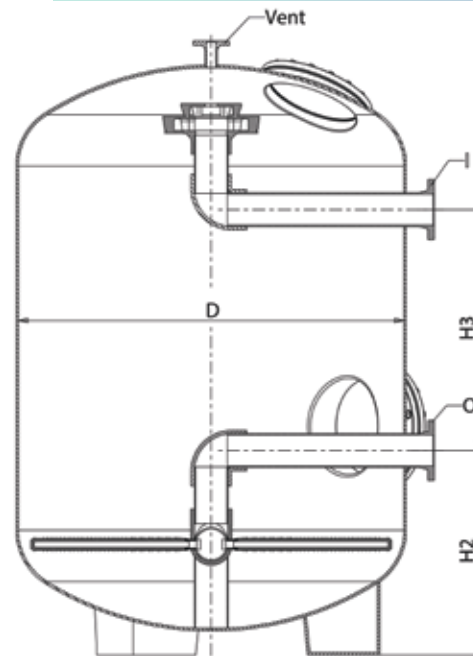
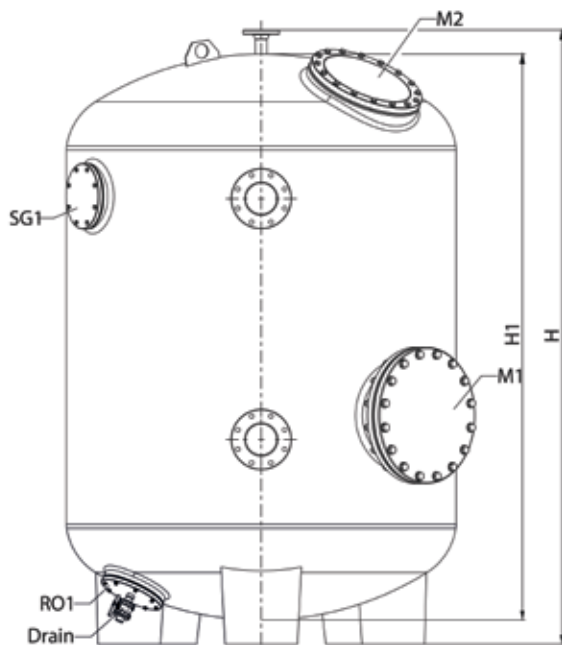
Inlet/Outlet flanges are made from GRP

External protective coating in RAL 5015. Other colours upon request with 5% surcharge.



Revision opening with drainage valve standard for TL model

Scan QR for more informations



TH SERIES

Diameter (mm)	L (mm)	L1 (mm)	H (mm)	M1 (mm)	SG1 (mm)	RO1 (mm)	Supports	I/O (mm)	Filter surf. (m ²)	Gross price € without VAT
2000	5000	4800	2230	500	200	200	3	TBC	9,14	31 394 €
	5900	5700	2230	500	200	200	3	TBC	10,94	34 558 €
2200	5000	4800	2350	500	200	200	3	TBC	10,00	35 248 €
	5900	5700	2350	500	200	200	3	TBC	12,00	38 405 €

- Filters are designed according to DIN 19605/19643/18820 standards and constructed according to AD-Merkblatt N1 and BS.
- Filters are equipped with special lateral system wich allow backwash with 50 m/h.
- Inlet/outlet flanges are made from GRP.
- Internal components and piping are made from PVC.
- Maximum working temperature: 40°C.
- Maximum working pressure: 2,5 bar.
- Test presure: 3,75 bar.
- 5 years warranty

Additional options:

- Vinylester lining for ozone (concentration max. 1 ppm): +10%
- Working pressure filters 4 bar: price +25% (factor 1,25).
- Working pressure filters 6 bar: price +40% (factor 1,40).



Technical details

- DIN 19605/19643/18820
- Diametar from 2000 mm to 2200 mm



Lifting lug made of stainless steel embedded in GRP



Acrylic sight glass SG1 in DN200 size.



Lateral distribution system



Revision opening with drainage valve standard for H model.

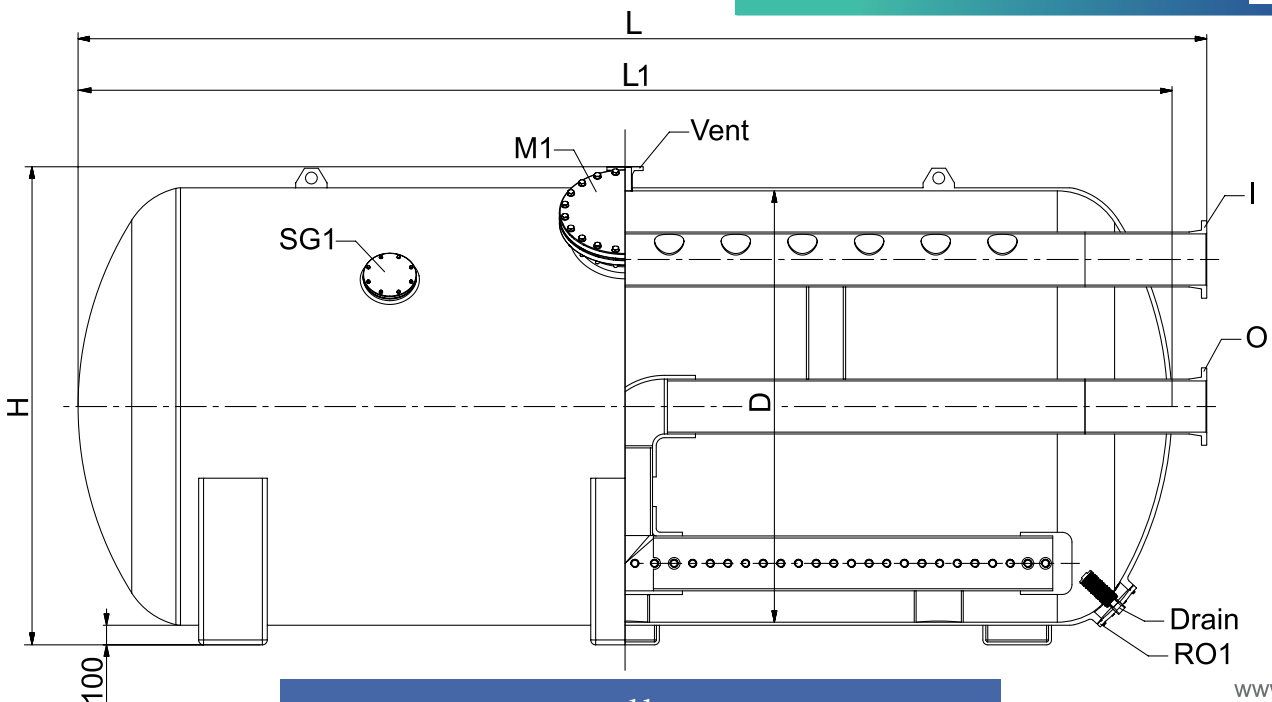


Inlet/Outlet flanges are made from GRP



Filter laminate construction according to DIN 18820. Chemical protective barrier made of combination of adequate resin, C-glass veil and glass fibres. Mechanical reinforcement made of combination of spray-up roving, woven roving and radial and helical filament winding. External protective coating in RAL 5015. Other colours upon request with 5% surcharge.

Scan QR for more informations



TCL / TCN SERIES

TCL SERIES

ID	Ø D (mm)	H (mm)	O (mm)	M (mm)	A (mm)	B (mm)	E (mm)	I/O (mm)	Filt. Surface (m ²)	Price without VAT
TCL-640	640	1886	190	355	338	1279	15	2"	0,30 m ²	4 020 €
TCL-840	840	2070	190	355	430	1300	110	2 ½"	0,52 m ²	4 770 €

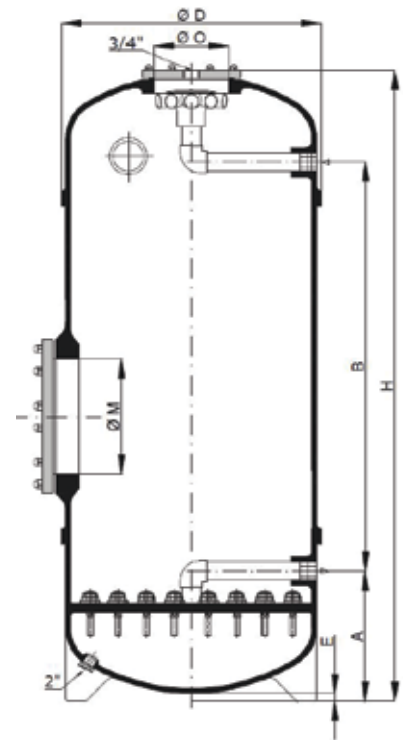
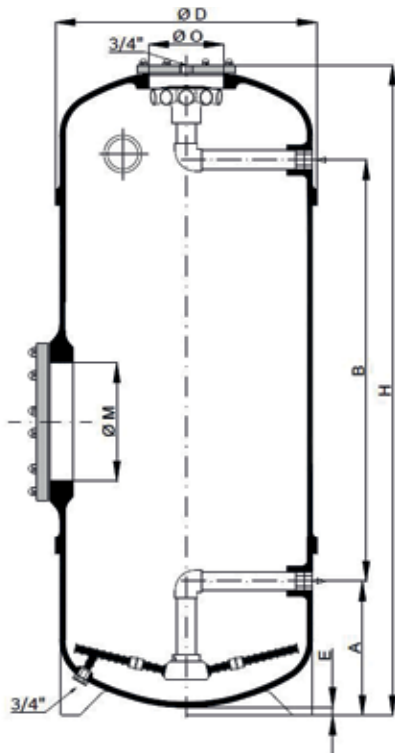
TCN SERIE

ID	Ø D (mm)	H (mm)	O (mm)	M (mm)	A (mm)	B (mm)	E (mm)	I/O (mm)	Filt. Surface (m ²)	Price without VAT
TCN - 640	640	1886	190	355	338	1279	15	2"	0,30 m ²	4 730 €
TCN - 840	840	2070	190	355	430	1300	110	2 ½"	0,52 m ²	6 100 €

TCL / TCN SERIES 1200 BED HEIGHT

- Manufactured and calculated according to EN 13121-3.
- Design pressure 2,5 Kg/cm² | Test pressure 3,75 Kg/cm².
- Lateral access manhole.
- Sight glass.
- Special diffuser for Sand / AFM[®].
- Design temperature 40°C.

Scan QR for more informations



Integrated GRP threads Ø640/Ø840

Transparent top lid

Arms collector Ø640/Ø840

Steel ARMORED Nozzle plate

Sightglass

Diffuser for Sand / AFM Ø640/Ø840

Plastized Manhole lid

Methacrylate Manhole lid

Emptying plug

TFL SERIES Ø 1010-2800

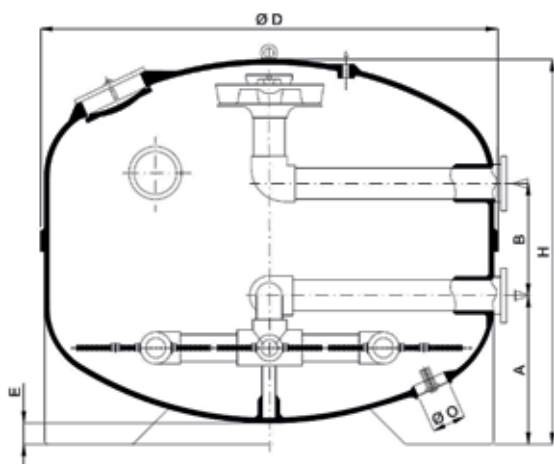
TFL SERIES

ID	Ø D (mm)	H (mm)	O (mm)	A (mm)	B (mm)	E (mm)	I/O (mm)	Filt. Surface (m ²)	Price without VAT
TFL-1010	1010	1200	165	500	300	100	DN80	0,78 m ²	5 550 €
TFL-1160	1160	1300	165	550	300 *	100	DN80	1,01 m ²	6 135 €
TFL-1260	1260	1350	165	550	400 *	100	DN100	1,21 m ²	6 970 €
TFL-1440	1440	1470	165	625	400 *	100	DN100	1,55 m ²	8 075 €
TFL-1640	1640	1670	165	720	450 *	100	DN125	2,04 m ²	10 605 €
TFL-1840	1840	1760	165	740	450 *	100	DN125	2,52 m ²	13 025 €
TFL-2040	2040	1870	165	725	450 *	100	DN150	3,17 m ²	15 865 €
TFL-2210	2210	1990	165	760	605	100	DN200	3,77 m ²	17 790 €
TFL-2340	2340	2000	165	765	600	100	DN200	4,06 m ²	19 765 €
TFL-2550	2550	2070	165	760	700	100	DN200	4,91 m ²	22 770 €
TFL-2800	2800	2200	190	850	650	100	DN250	5,97 m ²	25 895 €

TFL SERIES

- Manufactured and calculated according to EN 13121-3.
- Design pressure 2,5 Kg/cm² | Test pressure 3,75 Kg/cm².
- Sight glass included.
- Special top diffuser for flat filter bed
- GRP Flanged connections.
- Elliptical top manhole.
- Lifting lug.
- GRP reinforced internal piping.
- Bottom emptying hole.
- Design temperature 40°C.

Scan QR for more informations



Integrated GRP Flanges

GRP Elliptical manhole lid

Arms collector

Diffuser for Sand / AFM

Arms 0.3 mm

Sightglass

Emptying access

Sightglass standard position 7!

Besgo ready! * Ø1010-2040

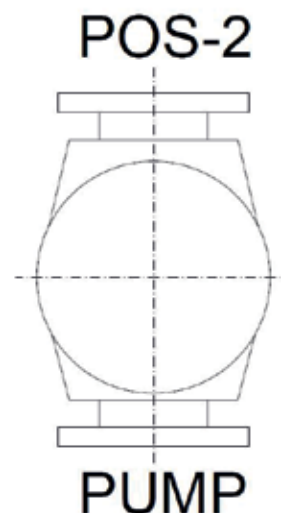
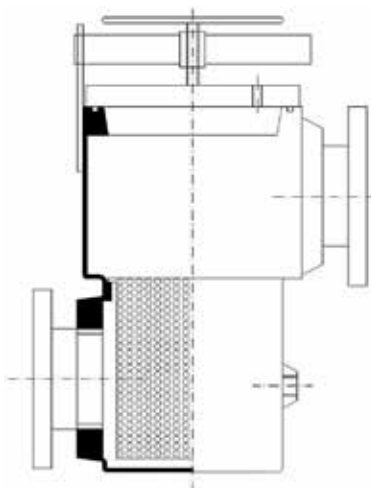
PUMP STRAINERS

PUMP STRAINERS POSITION 2

ID	Connections	Basket	Max p ress.	Price
TP8/110	DN100	8 litres	1 bar	2 360 €
TP15/110	DN100	15 litres	1 bar	2 740 €
TP25/160	DN150	25 litres	1 bar	3 095 €
TP25/225	DN200	25 litres	1 bar	3 175 €
TP60/300	DN300	60 litres	1 bar	4 335 €

CHARACTERISTICS

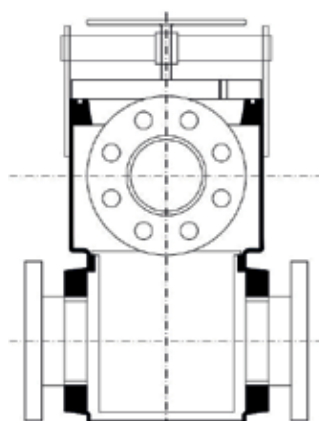
1 bar Max. pressure.
 Quick opening device.
 316 Stainless steel Ø4 mm hole
 Extremely robust.
 Designed for suction side.



Scan QR for more informations

PUMP STRAINERS COLLECTORS

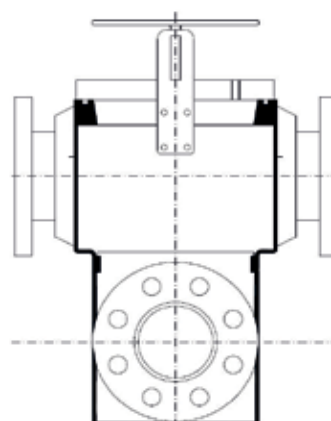
ID	Aspiration	Pump	Basket	Max press.	Price
TP25/2x160-225	2xDN150	DN200	25 litres	1 bar	3 570 €
TP25/225-2x160	DN200	2xDN150	25 litres	1 bar	3 570 €
TP60/2x225-300	2 x DN200	DN300	60 litres	1 bar	4 810 €
TP60/300-2x225	DN300	2xDN200	60 litres	1 bar	4 810 €



1 INLET - 2 OUTLET



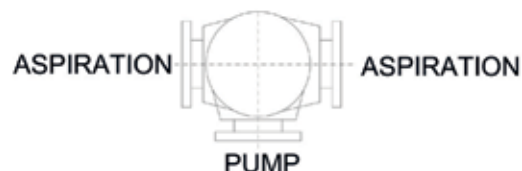
Example: 1 aspiration / 2 pump



2 INLET - 1 OUTLET



ASPIRATION



PUMP

AFM[®]

ACTIVATED FILTER MEDIA

Description	Package quantity	Pallet Quantity	Gross price € without VAT	
AFM [®] Grade 0	0.25 - 0,5 mm	Bags of 25 kg	40 on CP-1	50,00 €
AFM [®] ng Grade 1	0,4 - 0,8 mm	Bags of 25 kg	40 on CP-1	50,00 €
AFM [®] ng Grade 2	0,7 - 2,0 mm	Bags of 25 kg	40 on CP-1	50,00 €
AFM [®] ng DIN Grade	0,7 - 1,2 mm	Bags of 25 kg	40 on CP-1	50,00 €
AFM [®] Grade 3	2,0 - 4,0 mm	Bags of 25 kg	40 on CP-1	50,00 €

AFM[®] ng is a unique self-sterilising and fully bio-resistant filter media that was developed to prevent the formation of harmful volatile disinfection by-products such as Trichloramines and THMs. AFM[®] ng filters particles down to 1 micron, provides substantial backwash water savings and outlasts all other filter media.

Scan QR for more informations



www.taragr.rs

